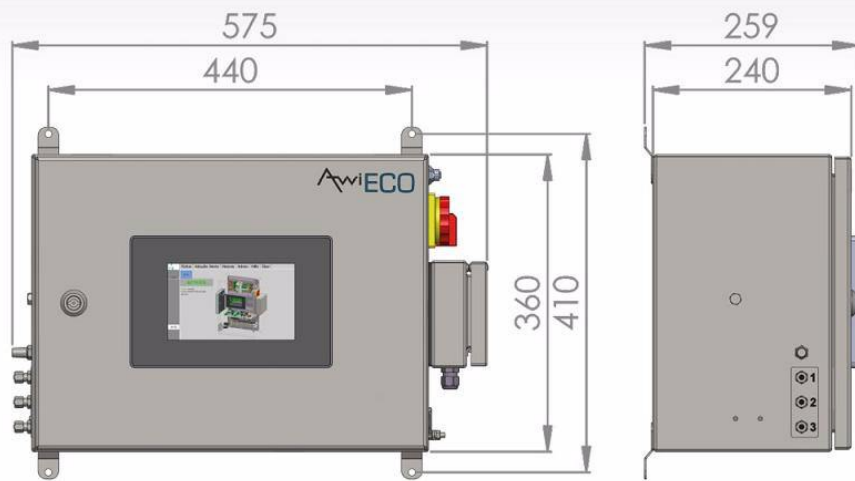
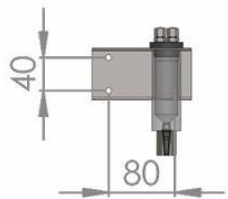
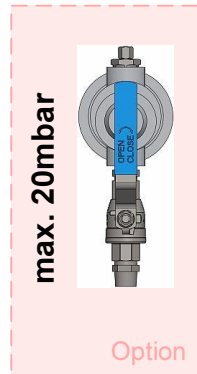
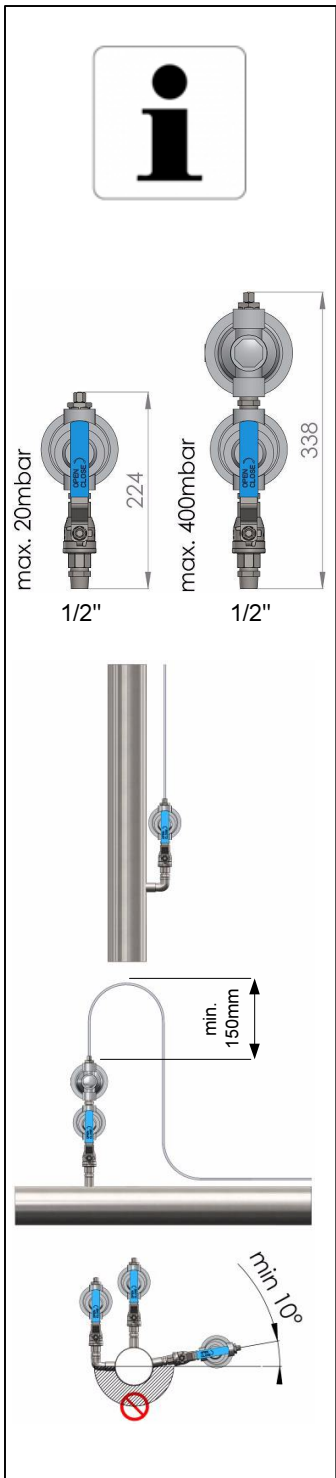


INSTALLATIONSÜBERSICHT /
INSTALLATION OVERVIEW
AWIECO
Information Installation



5°C - 35°C

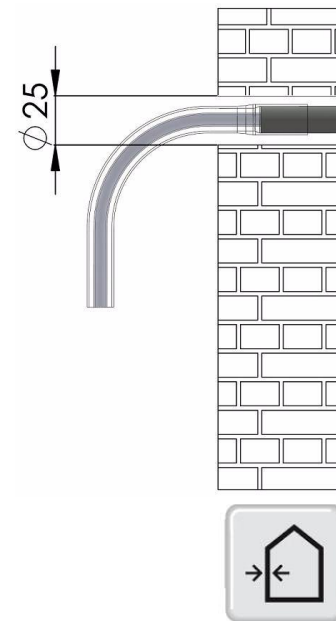




max. 400mbar



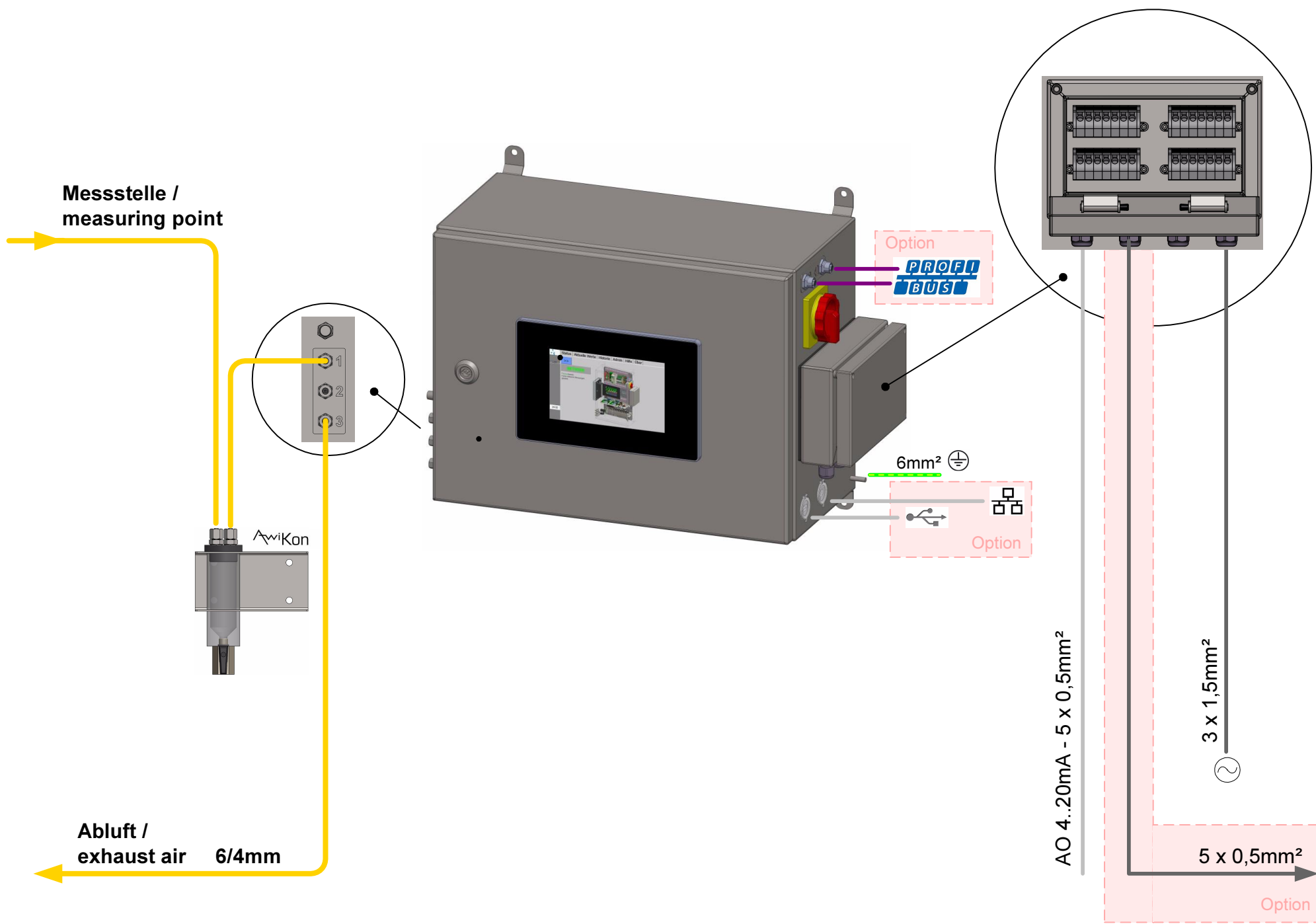
Messstelle /
measuring point

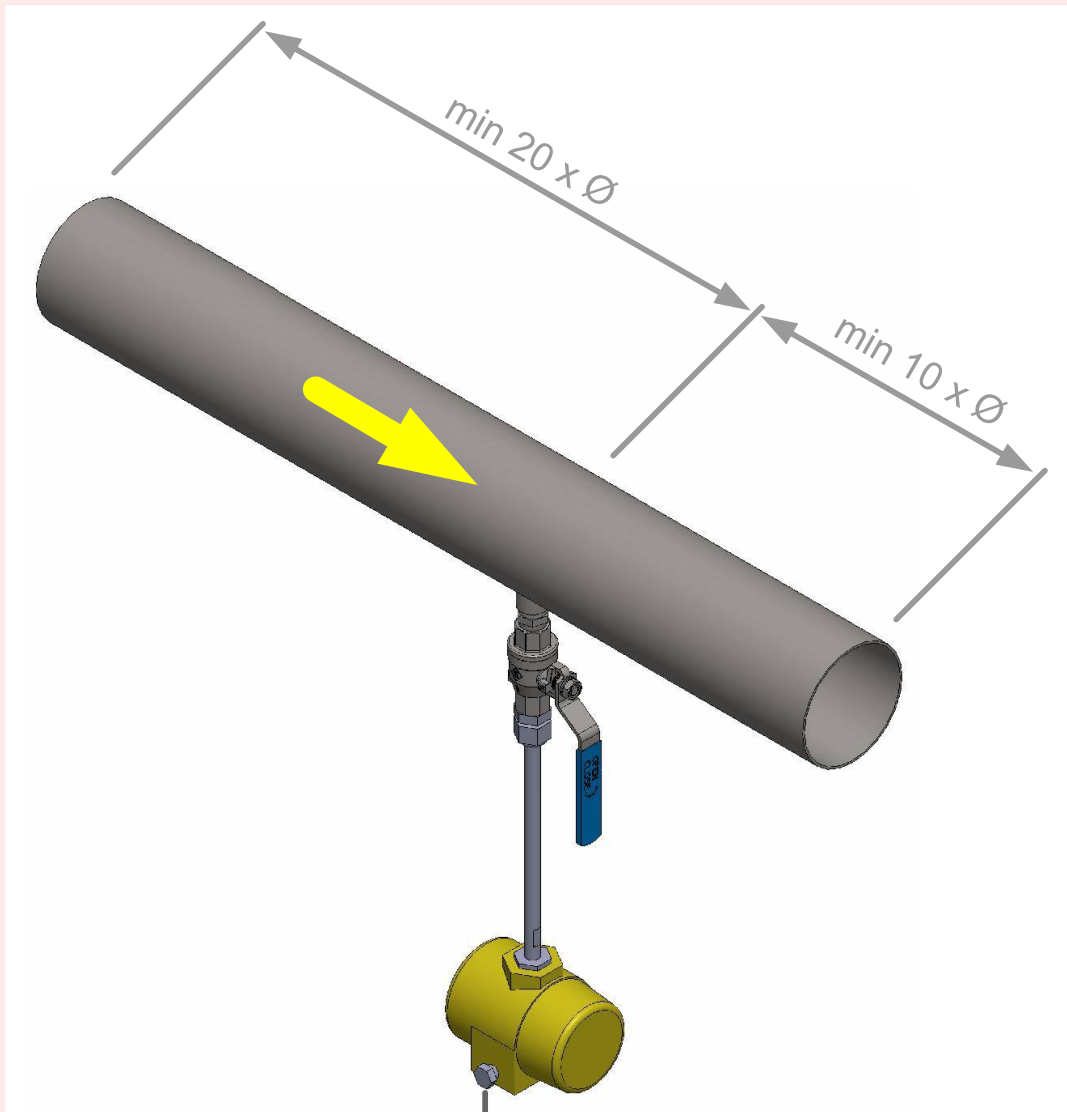


6/4mm, max.100m

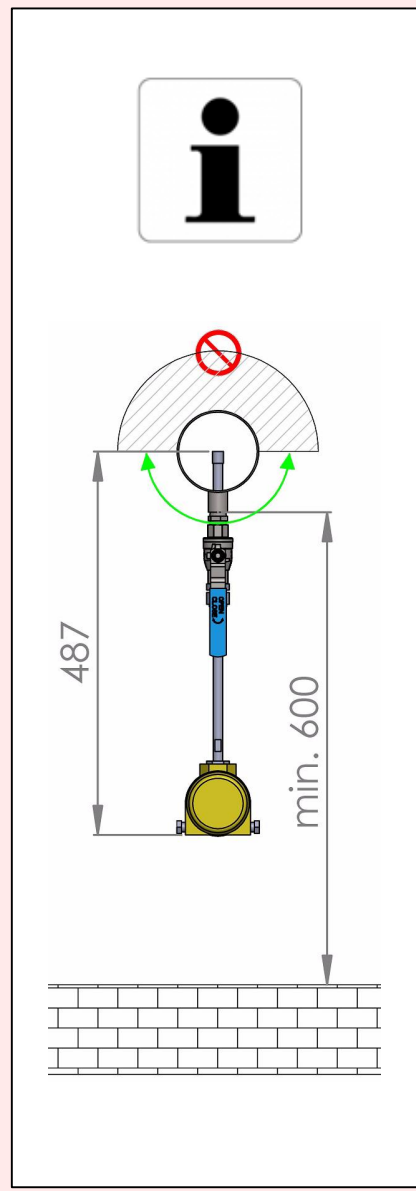


Abluft / exhaust air





5 x 0,5mm²



Option