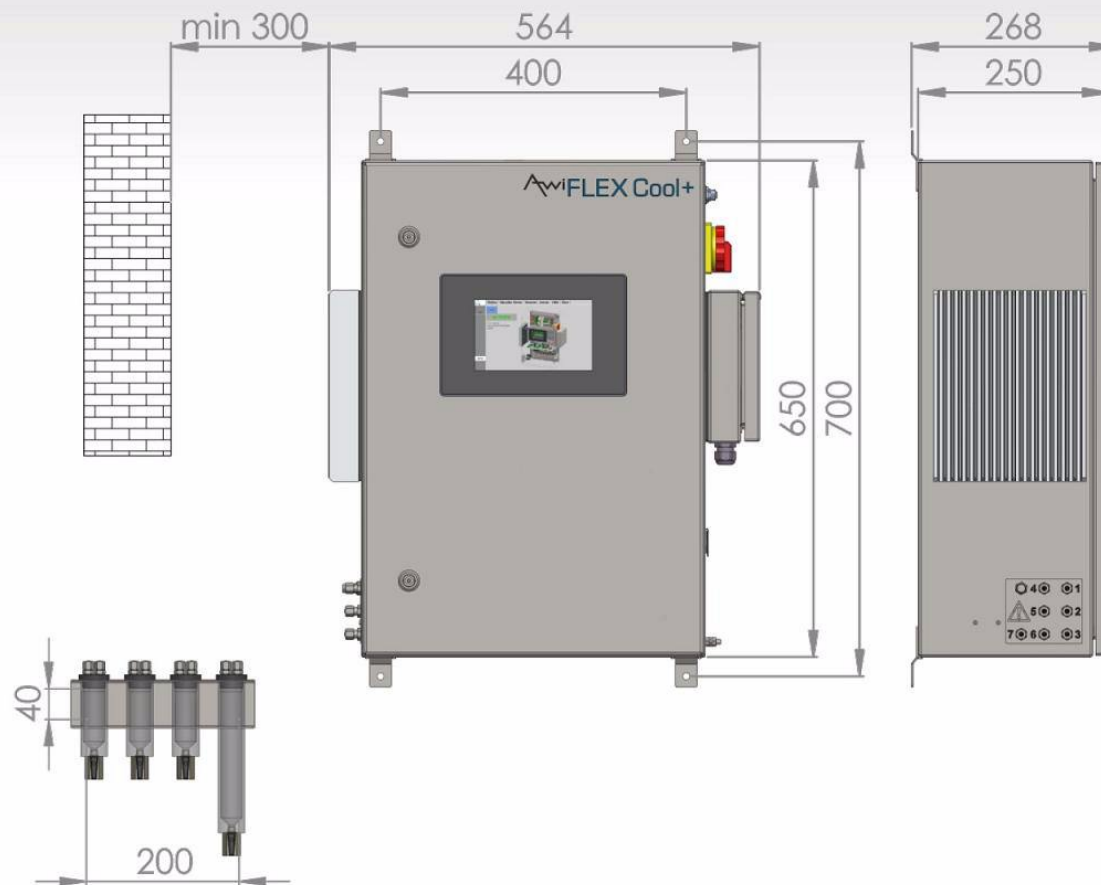


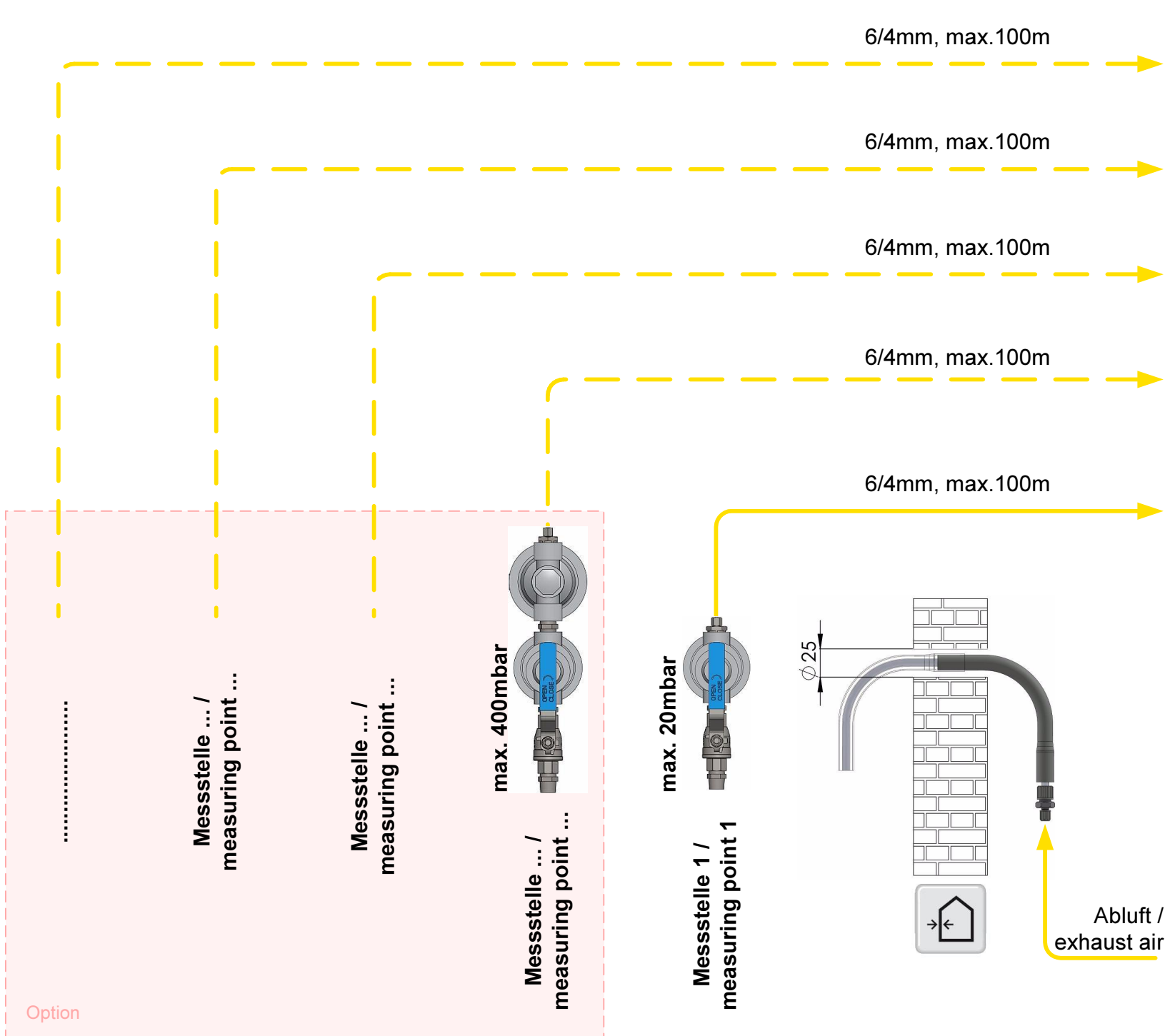
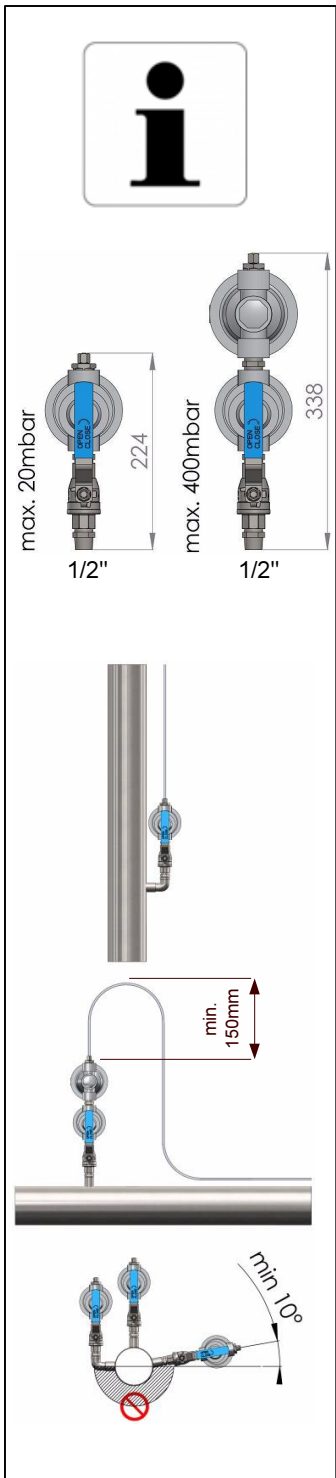


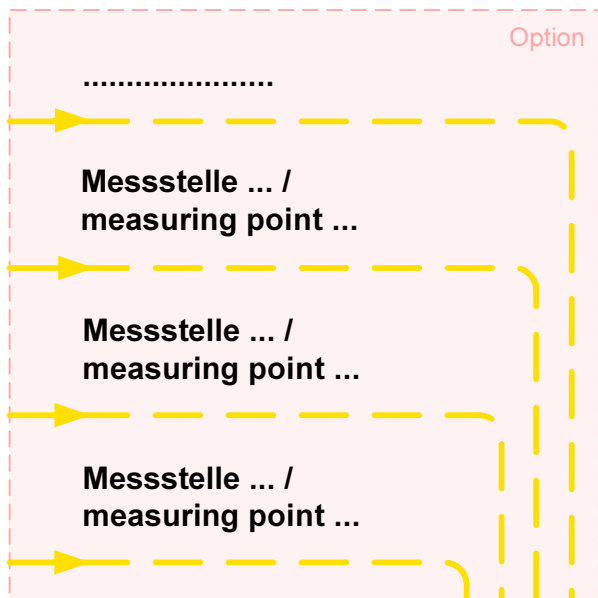
INSTALLATIONSÜBERSICHT /
INSTALLATION OVERVIEW
AWIFLEX COOL+
Information Installation



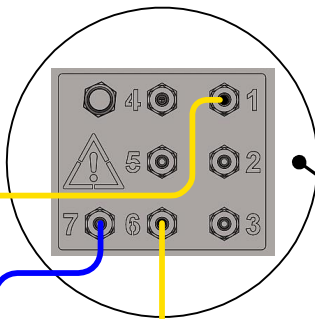
5°C - 35°C



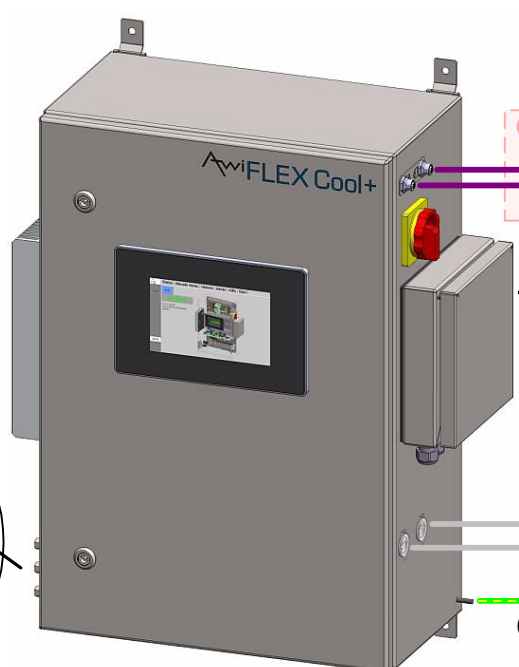




Messstelle 1 /
measuring point 1



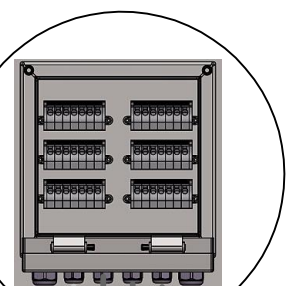
AviKon



Option
PROFI
BUS

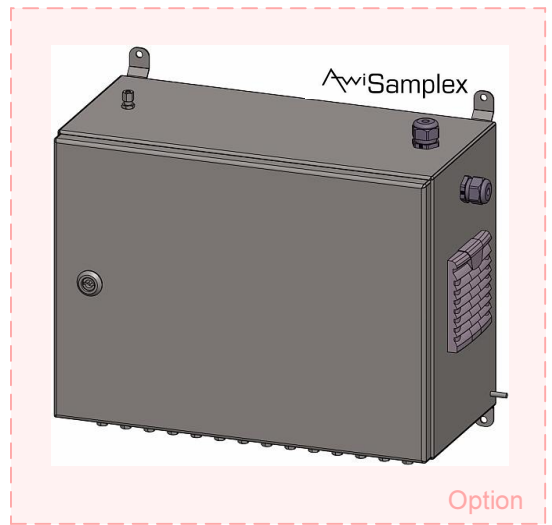
Option

6mm² ⊕

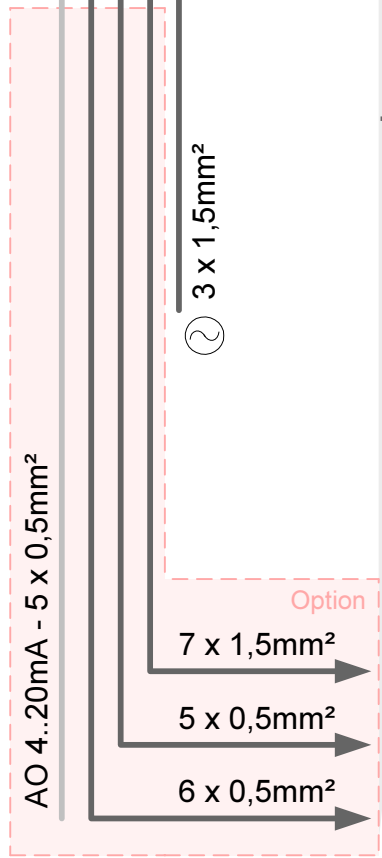


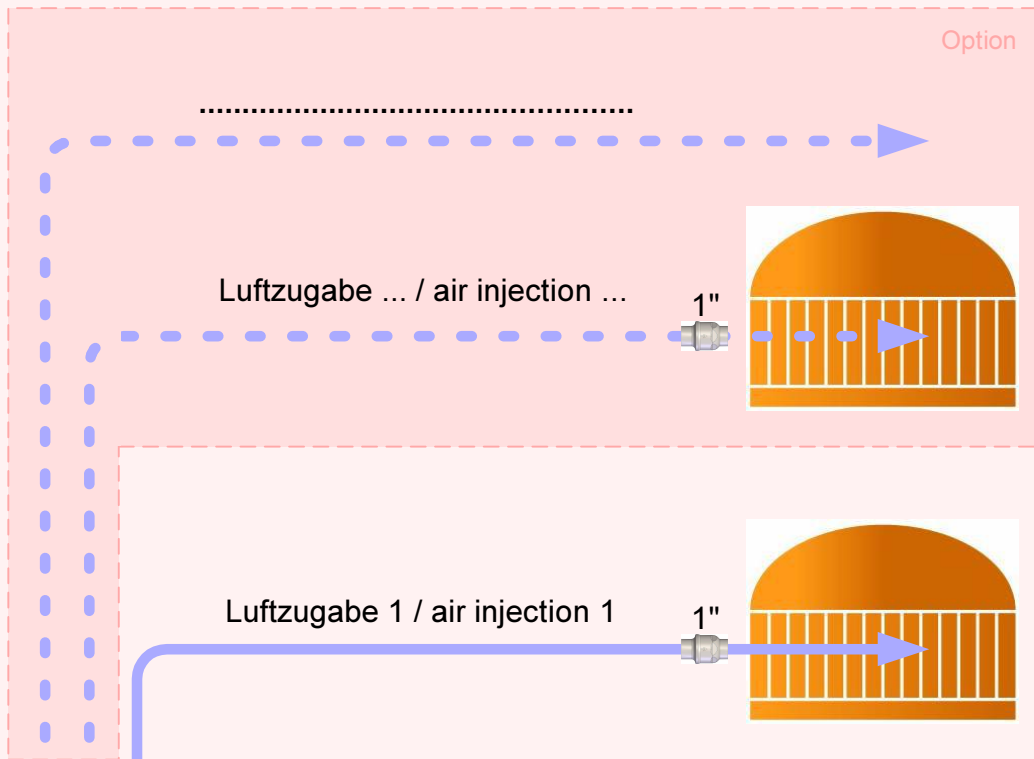
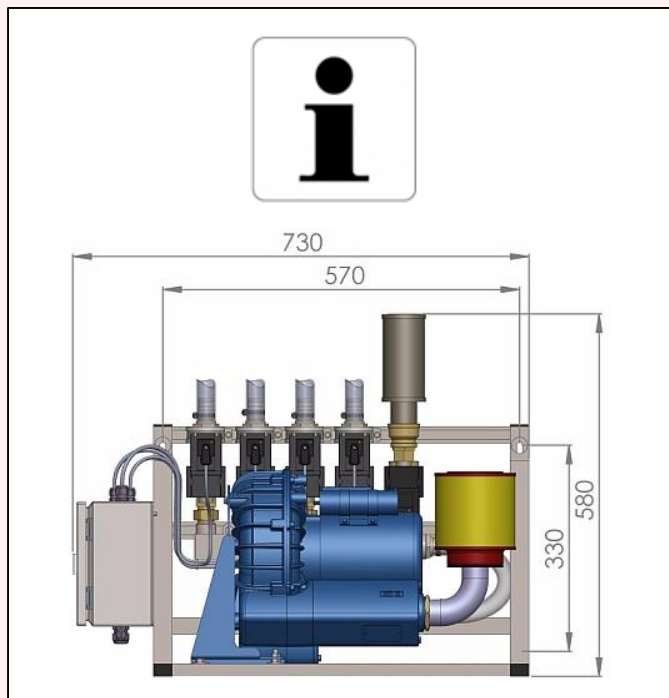
-2-

Abluft /
exhaust air 6/4mm

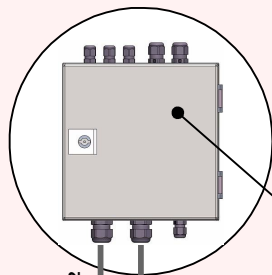


-4/5-



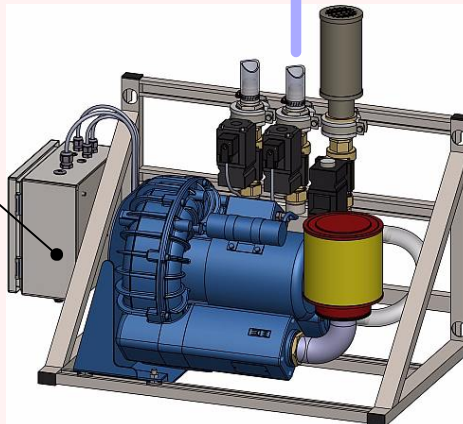


- 3 -

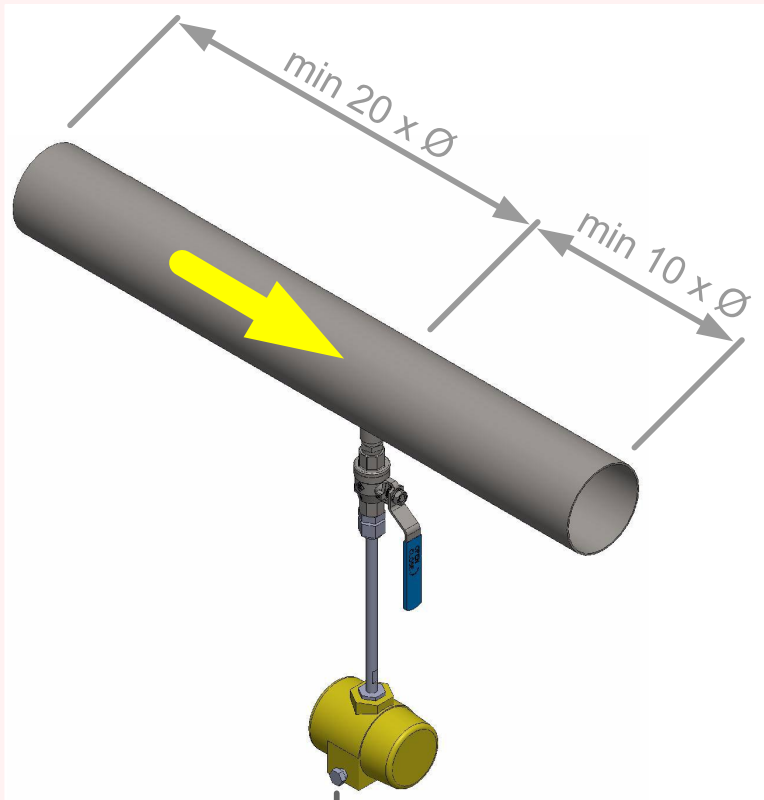


7 x 1,5mm²

② 3 x 1,5mm²

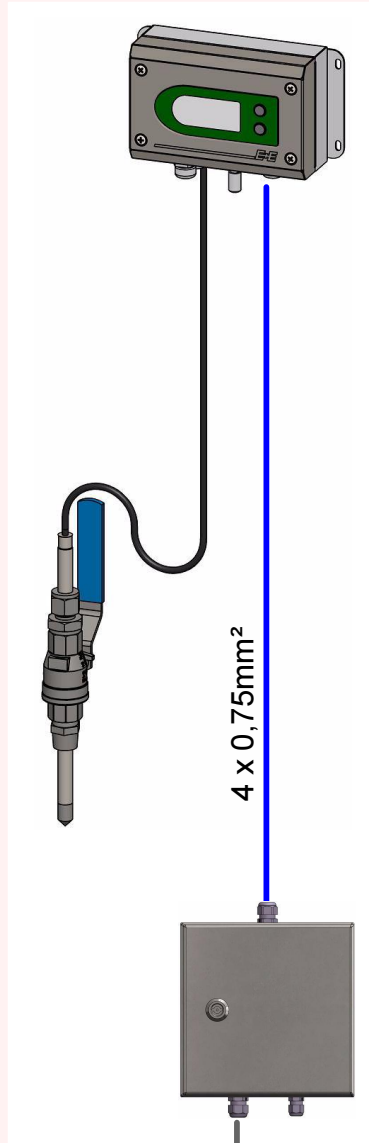


Option

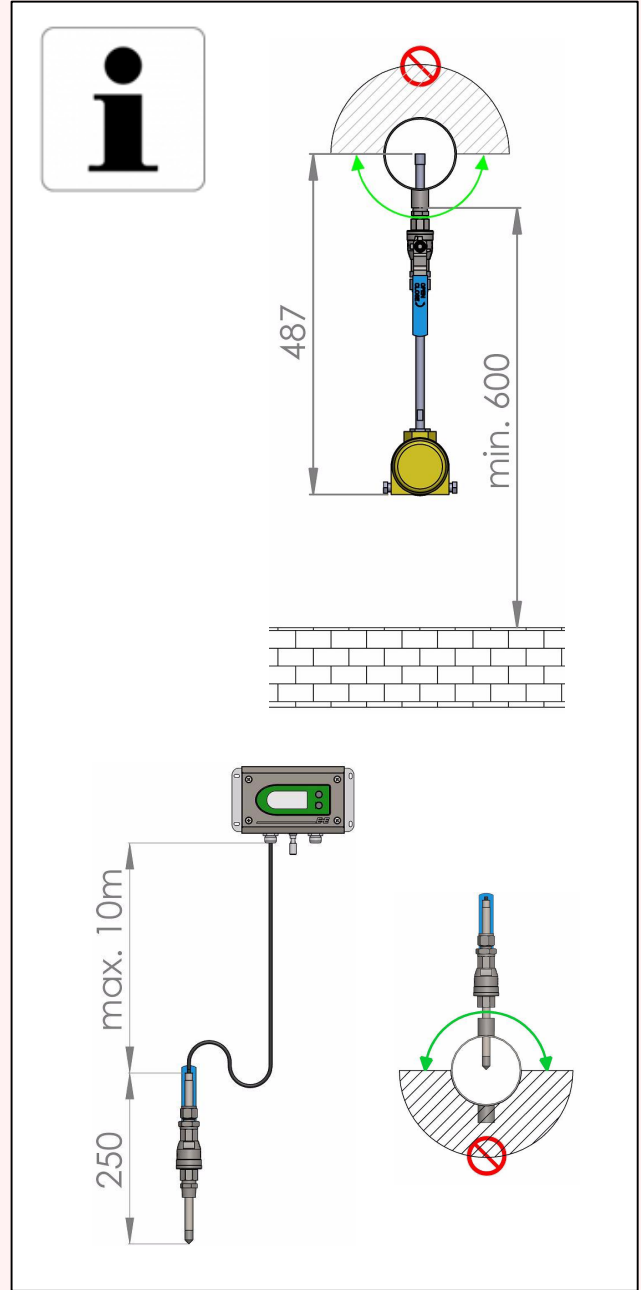


5 x 0,5mm²

6 x 0,5mm²



4 x 0,75mm²



max. 10m

487

min. 600

250

Option